



INSTALLATION GUIDE

Preparing a passive device

25 Sep 2017 | Author: Chris Snell

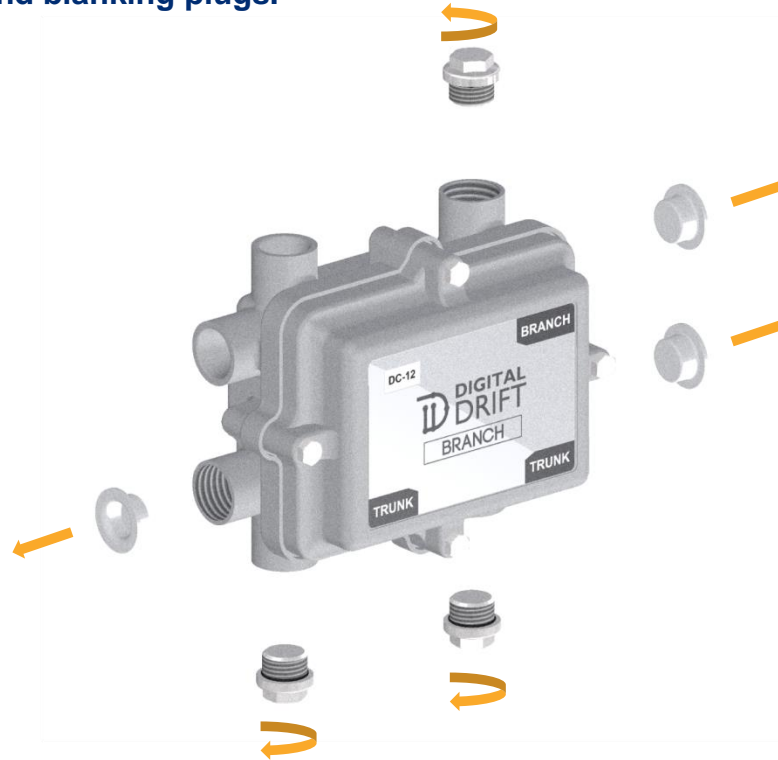


rfi.com.au



STEP 1

Remove the end caps and blanking plugs.



STEP 2

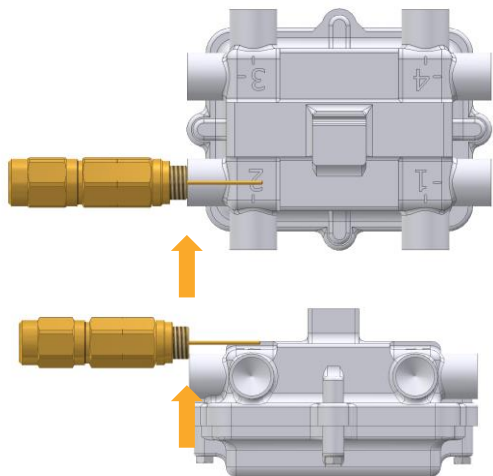
Loosen (but do not remove) the screws that hold the pin connector centre conductors, using a small flat blade screwdriver.



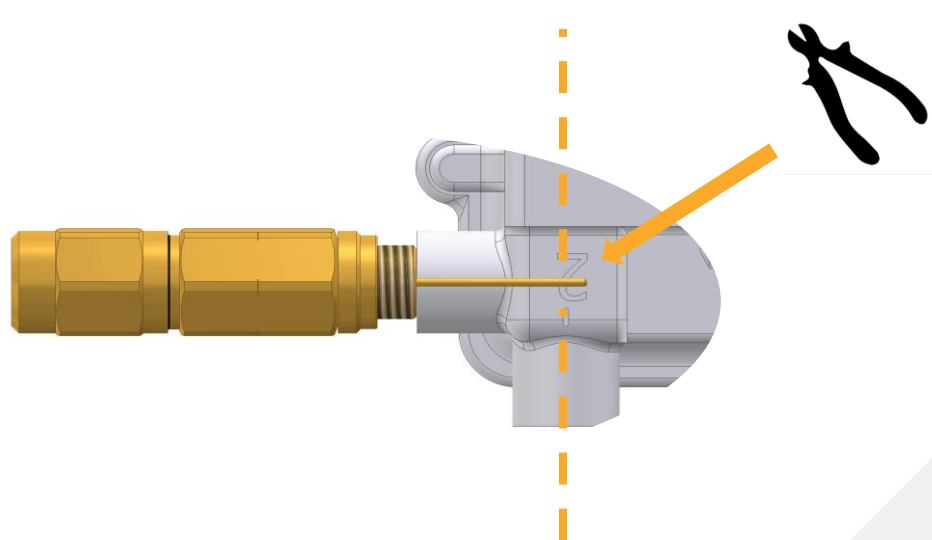
STEP 3

Cut the first pin connector to the correct length.

Butt the connector against the back of the unit.

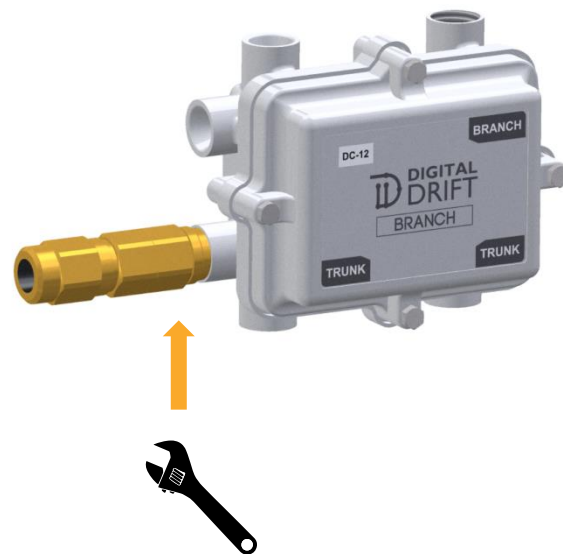
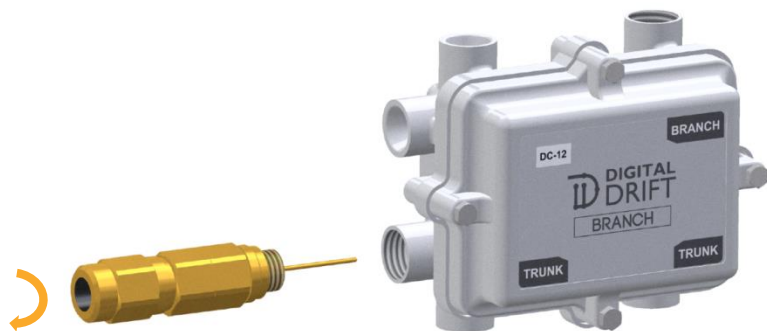


Cut the pin length as per trim line shown.



STEP 4

Screw in the pin connector and tighten.



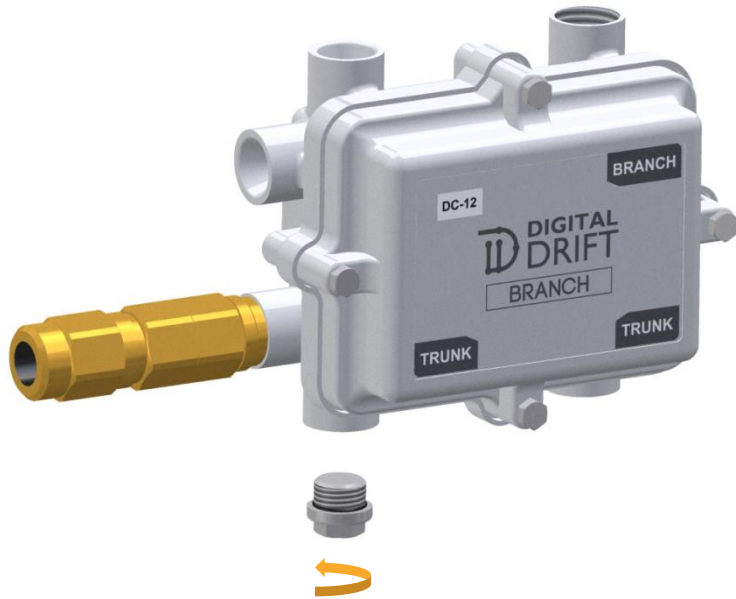
STEP 5

Tighten the screw that holds the pin connector's centre conductor.



STEP 6

Re-install and tighten the port's blanking plug.



STEP 7

Repeat steps 3 to 6 for the remaining two ports.





Thank You

